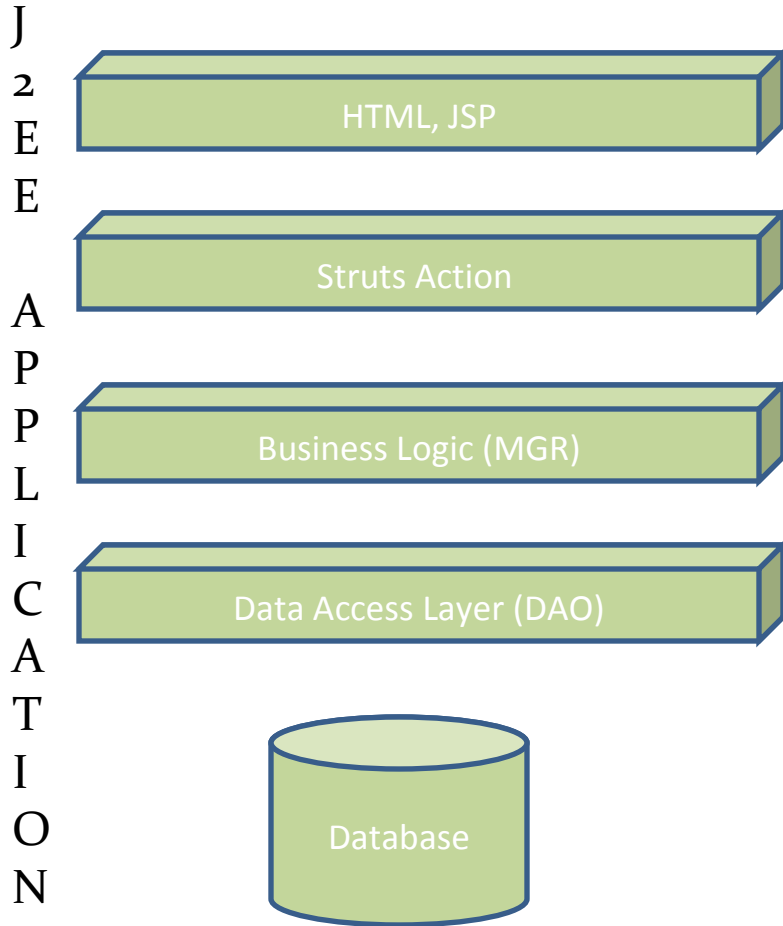


# Neev ActiveSite wCMS

Architecture

# Technical Stack



## Core J2EE Technologies

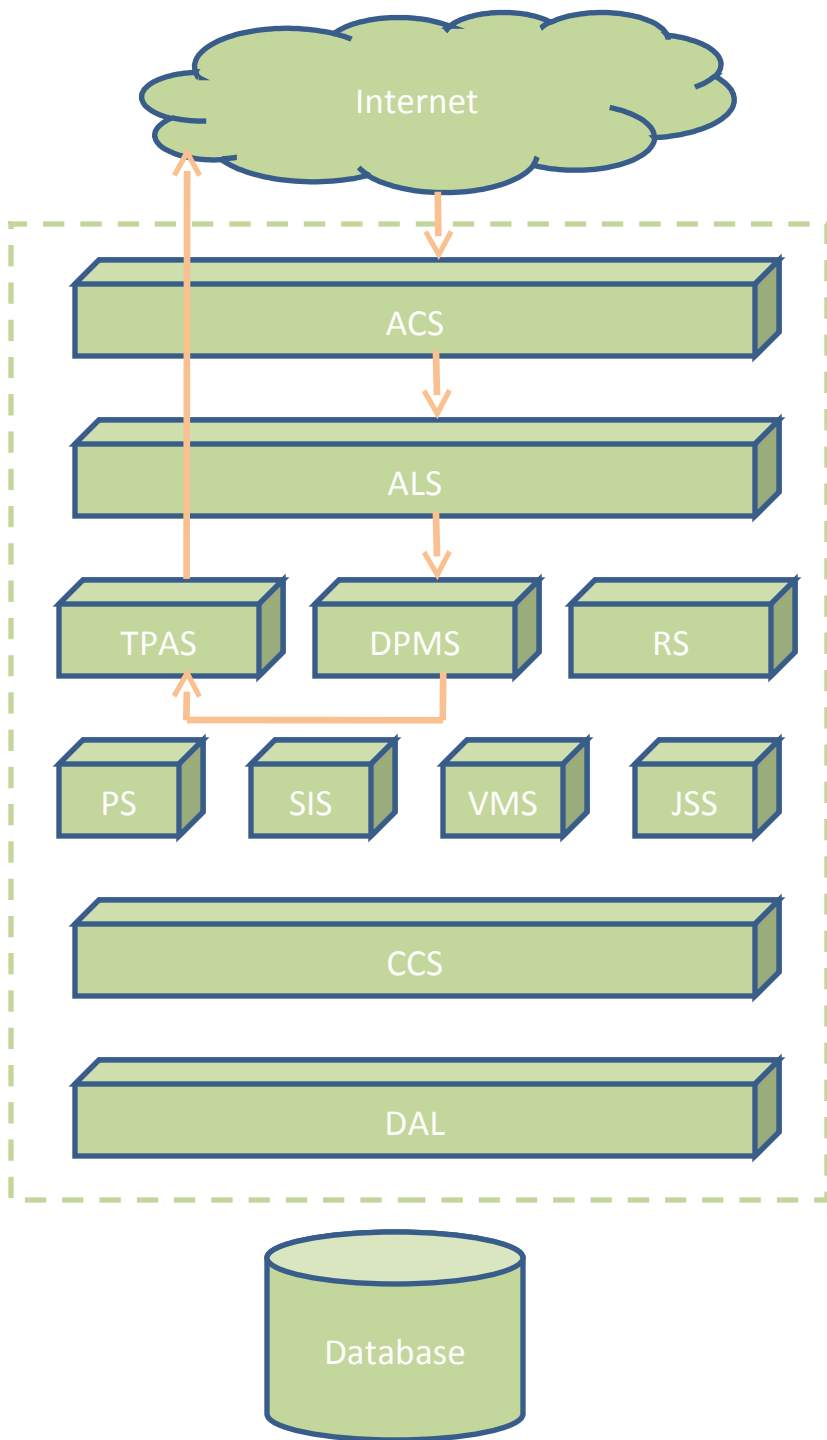
- Servlet API 2.3
- JSP 1.2
- JNDI 1.2
- JTA 1.0.1
- JavaMail 1.3
- JDBC

## Common Open J2EE Frameworks

Jakarta Struts  
Hibernate  
Spring framework

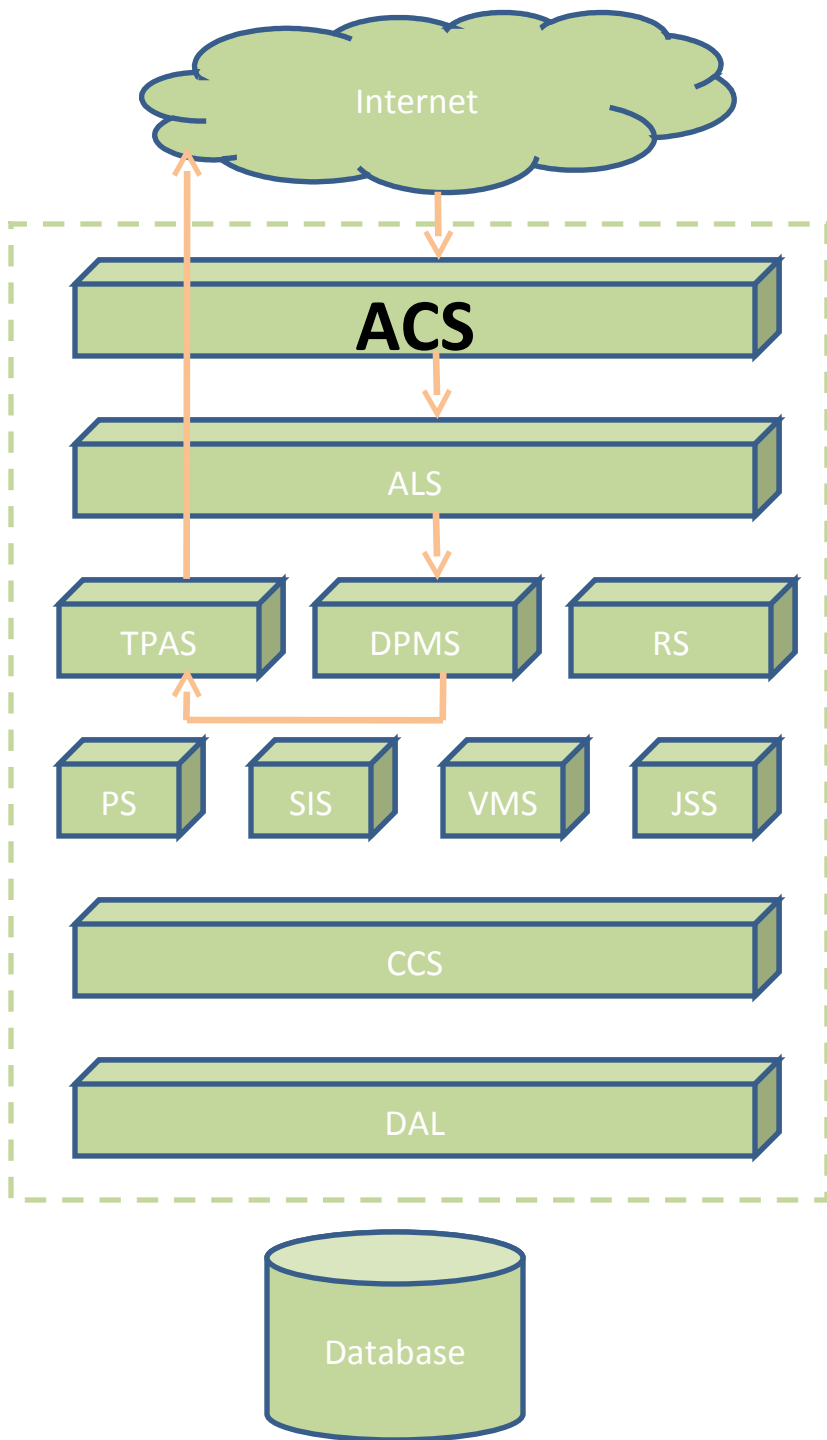
## Relational Database

All content is stored in a relational database. Database access is segregated into a different layer to facilitate porting the application onto more RDBMS servers.



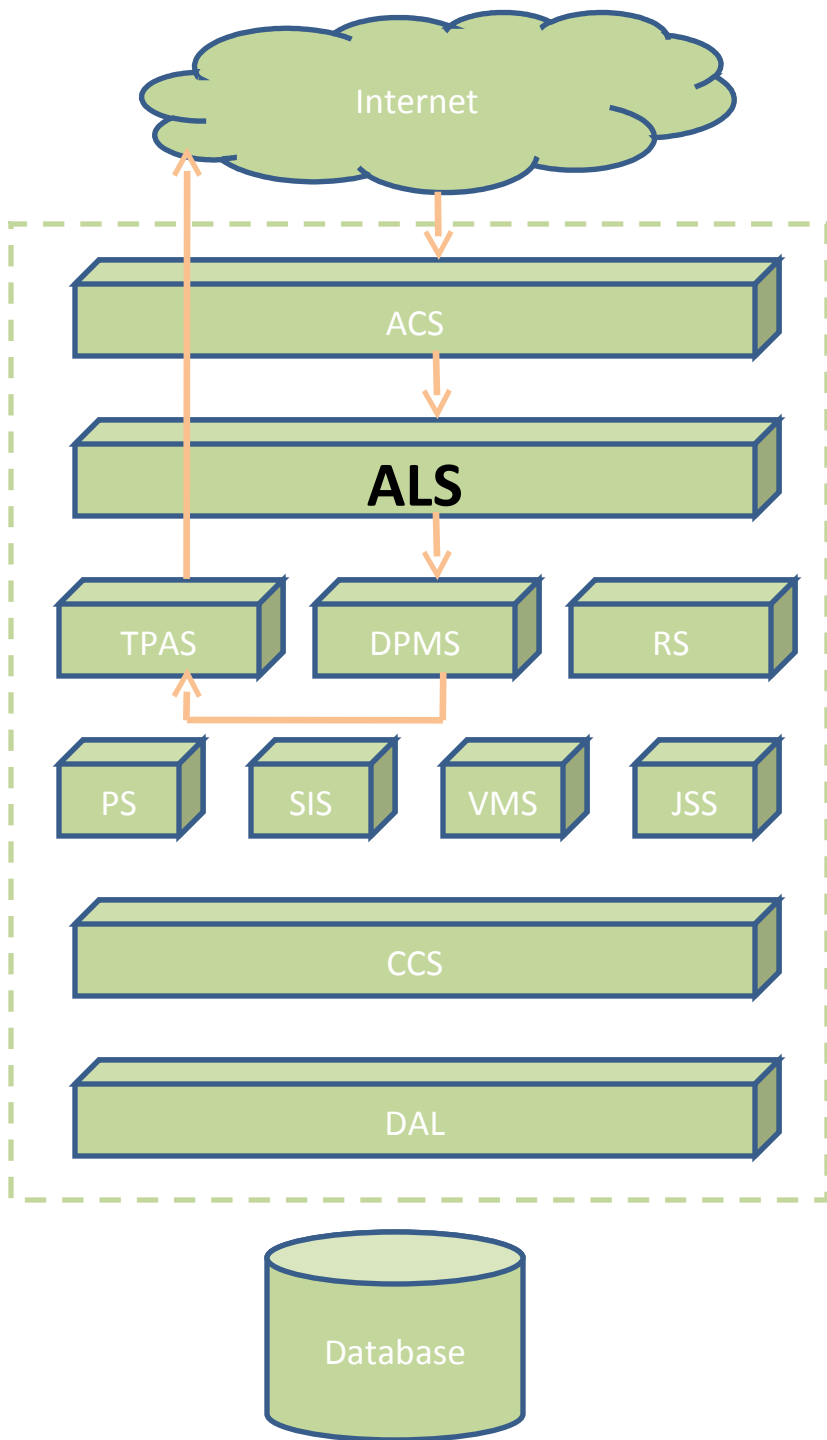
## ARCHITECTURE

Active Site has been developed using the MVC model and open standards based on technologies like Java (J2SE/J2EE), RDBMS and XML.



## ARCHITECTURE

ACS is responsible for implementing security checks to ensure no un-authorized users access information. Fine grained permissions can be set for users and groups on objects (folders, pages, documents, version, etc).

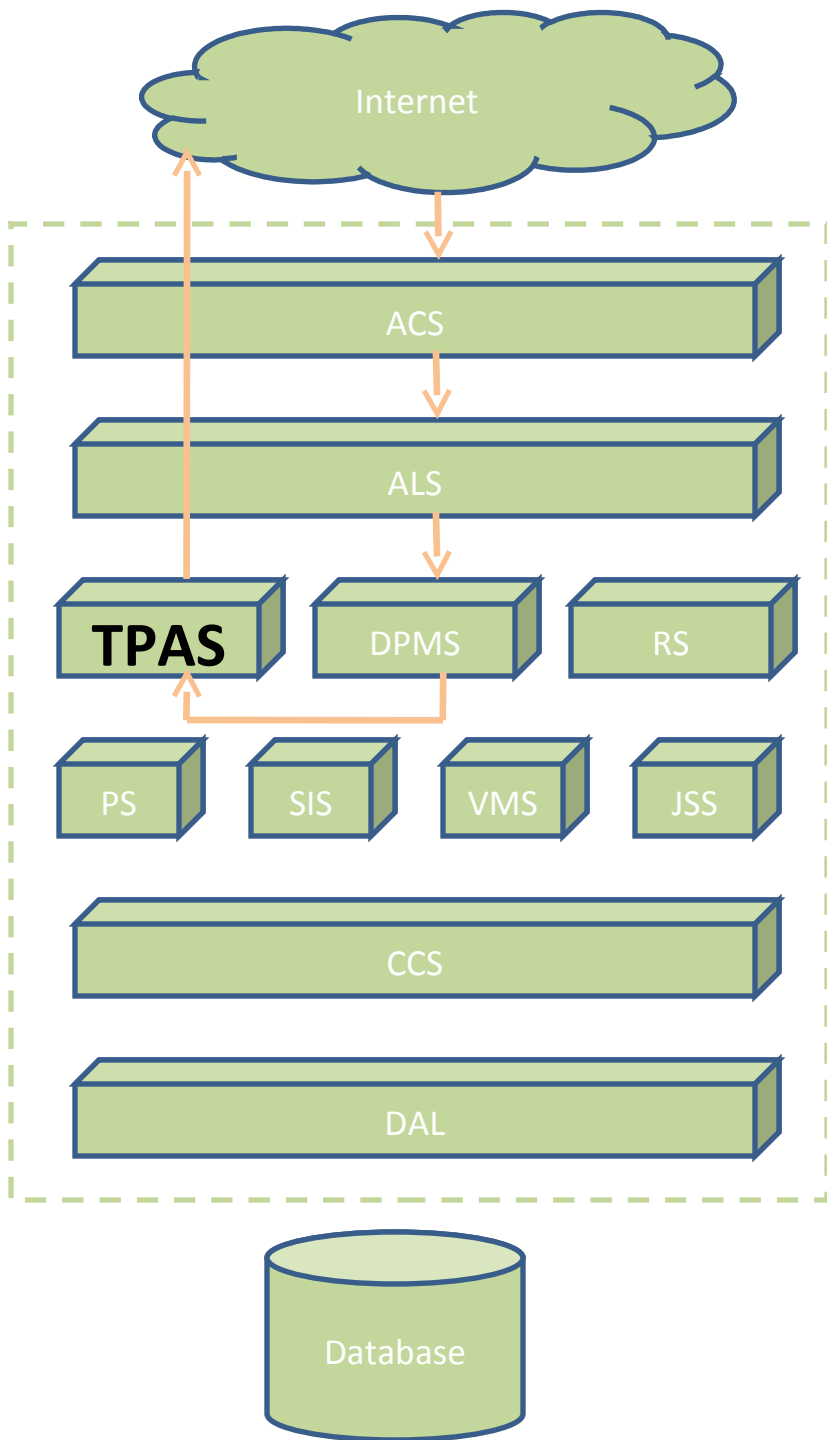


# ARCHITECTURE

ALS logs each requested page/document/file. Along with the name of the requested document, ALS also logs additional demographic information like:

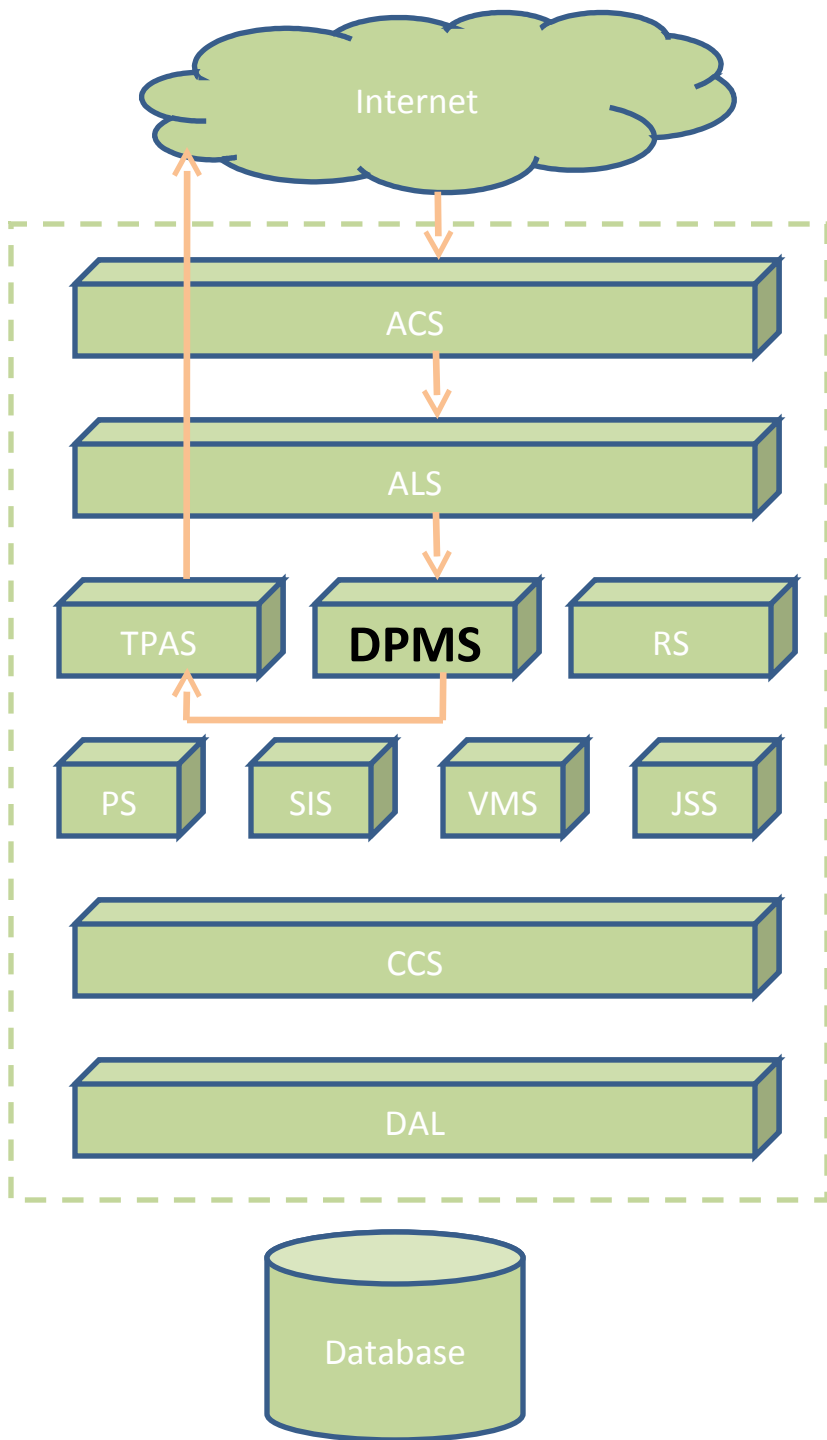
- Country of origin
- Date and time of request
- Referring URL
- Username (if available)
- User's ISP's hostname and IP address
- Browser

ALS along with Reporting Service (RS) provides the ability to perform detailed hit analysis.



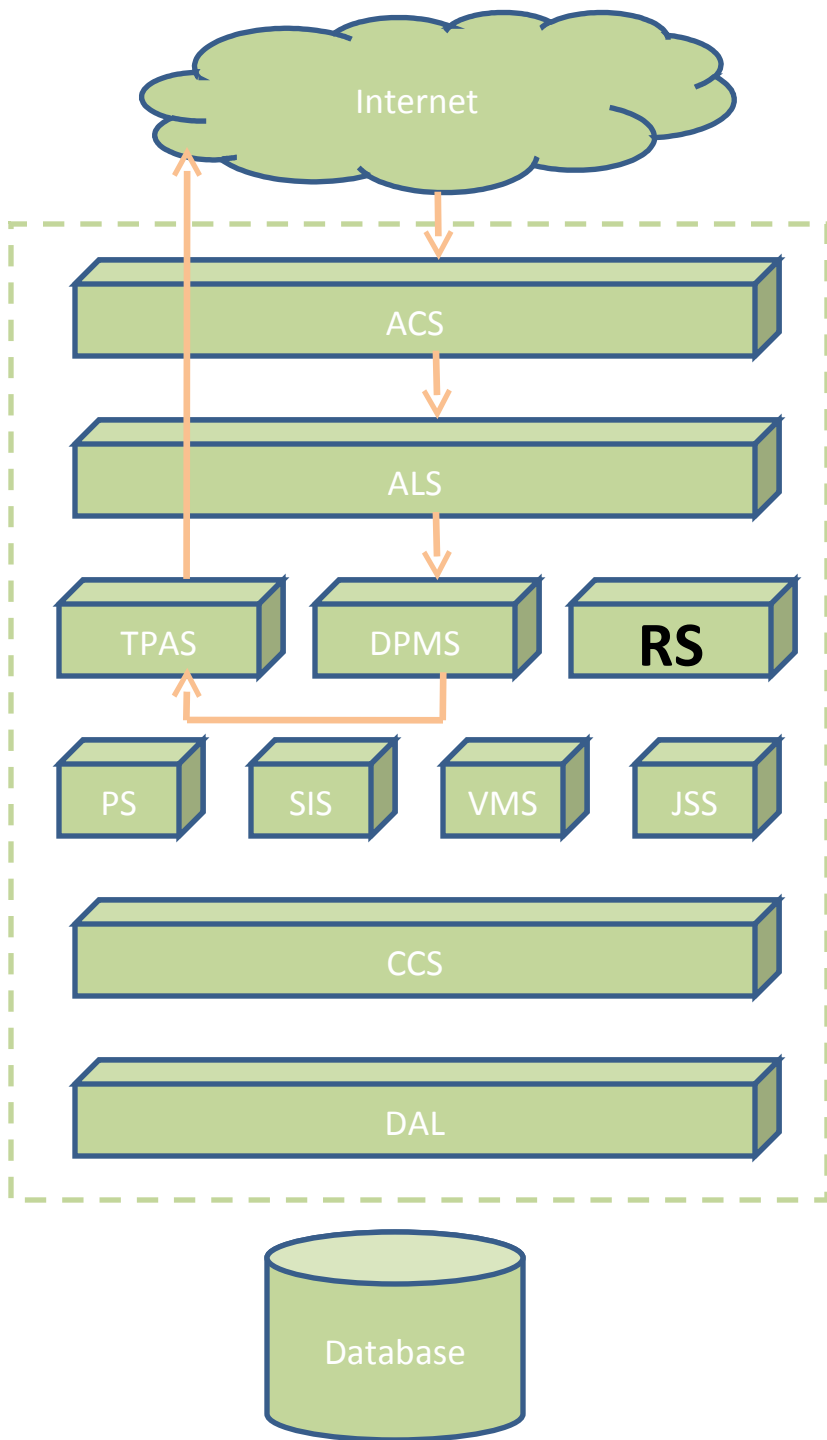
## ARCHITECTURE

Templating and Page Assembly Service (T/PAS) Page assembly involves collating various content fragments that make up the page via content channels. Templating is done by standard JSP and Taglibs technology.



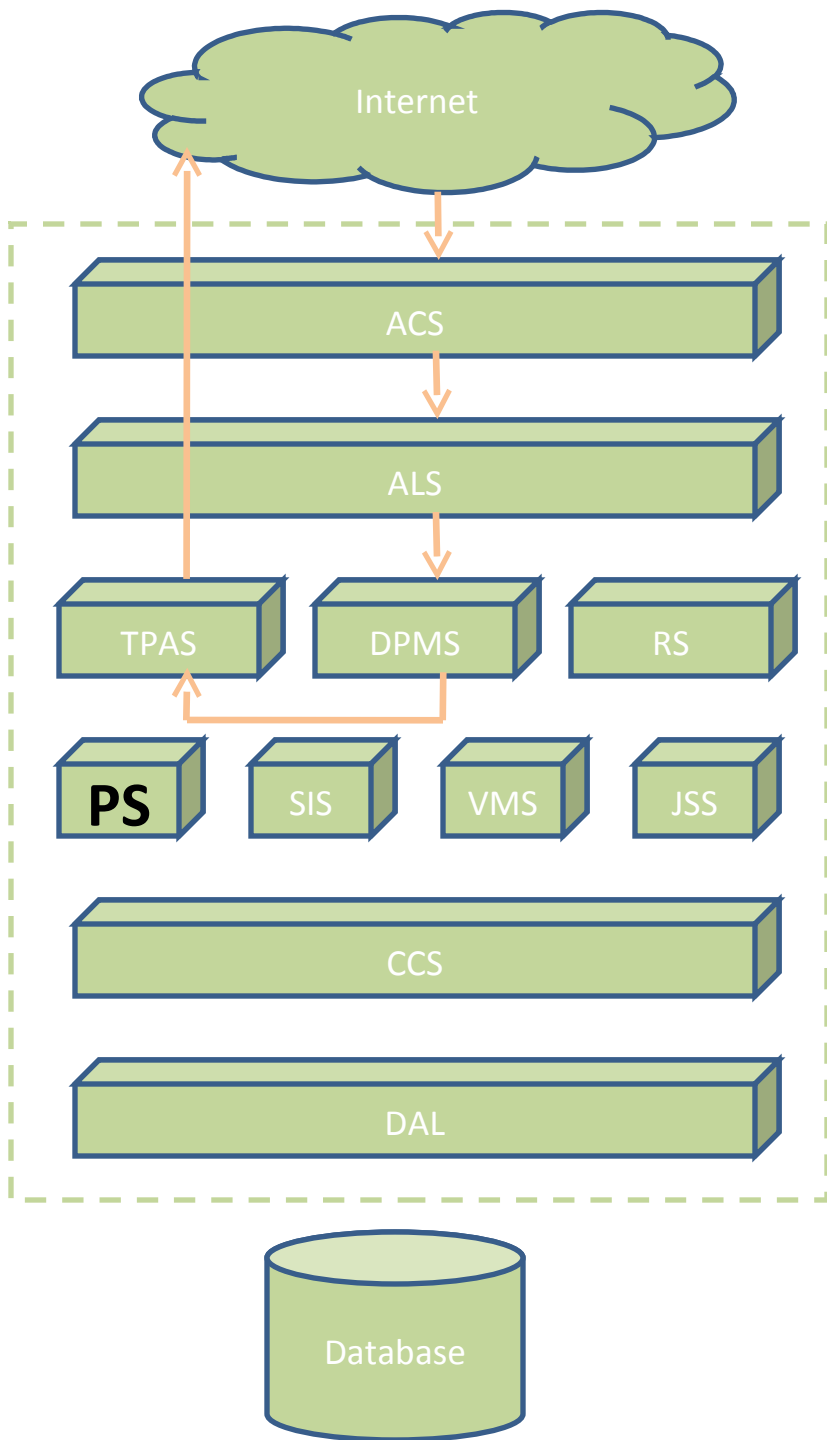
# ARCHITECTURE

Document/Page Management Service (D/PMS) is responsible for maintaining the structure (folders) of the content and fetching requested content on demand. D/PMS works with the Content Cache (CCS) and Version Management Service (VMS) to server requested content.



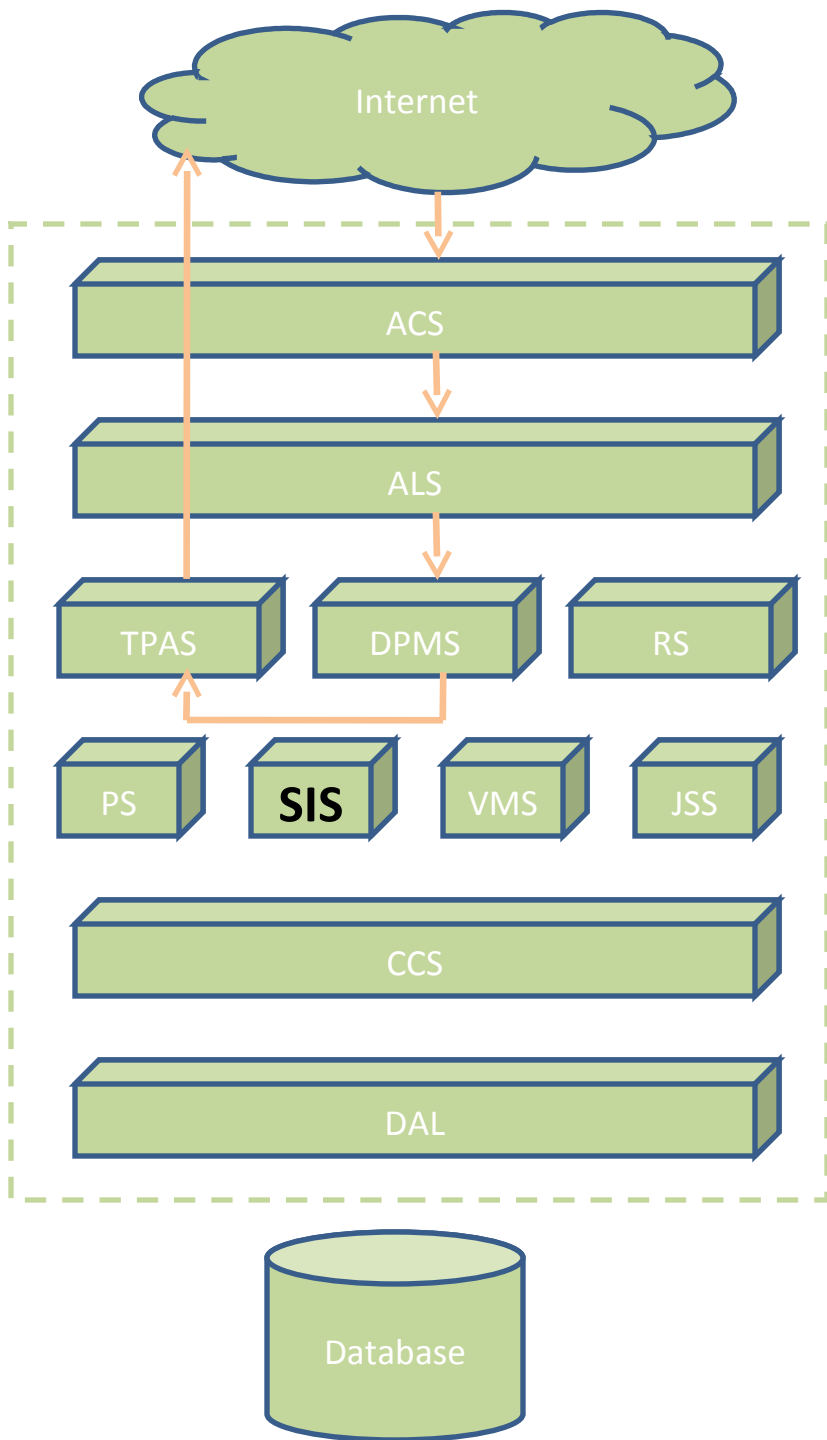
## ARCHITECTURE

Reporting Service (RS)  
Various reports for analysis of user activity are provided by the Reporting Service. Reports can be exported to multiple formats like PDF, Microsoft Excel, RTF, CSV and XML. Data exported as XML or CSV can then be imported into other systems for further use if required.



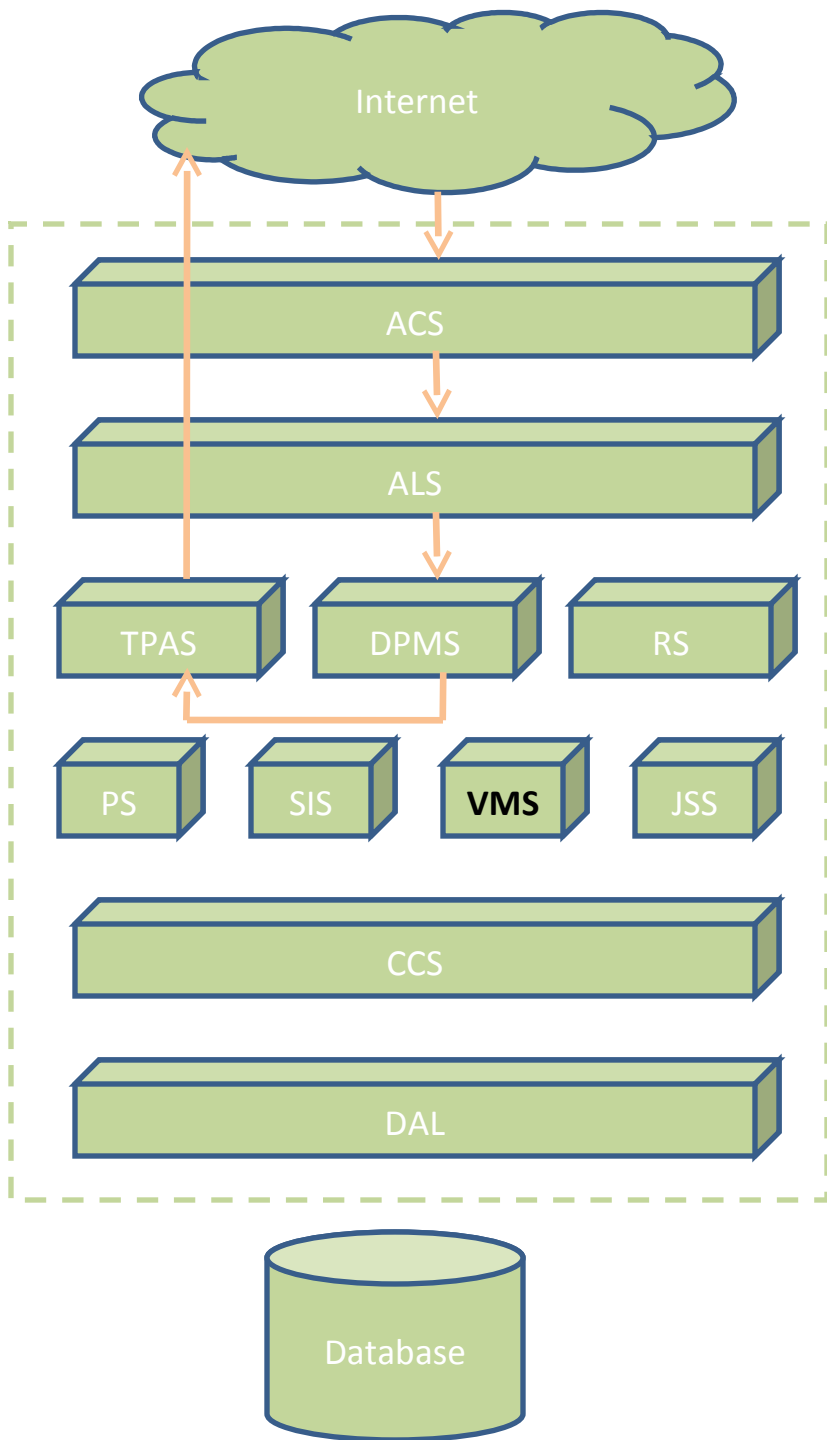
# ARCHITECTURE

Personalization Service (PS) works in conjunction with the Page Assembly Service to fetch data personal to the user making the request.



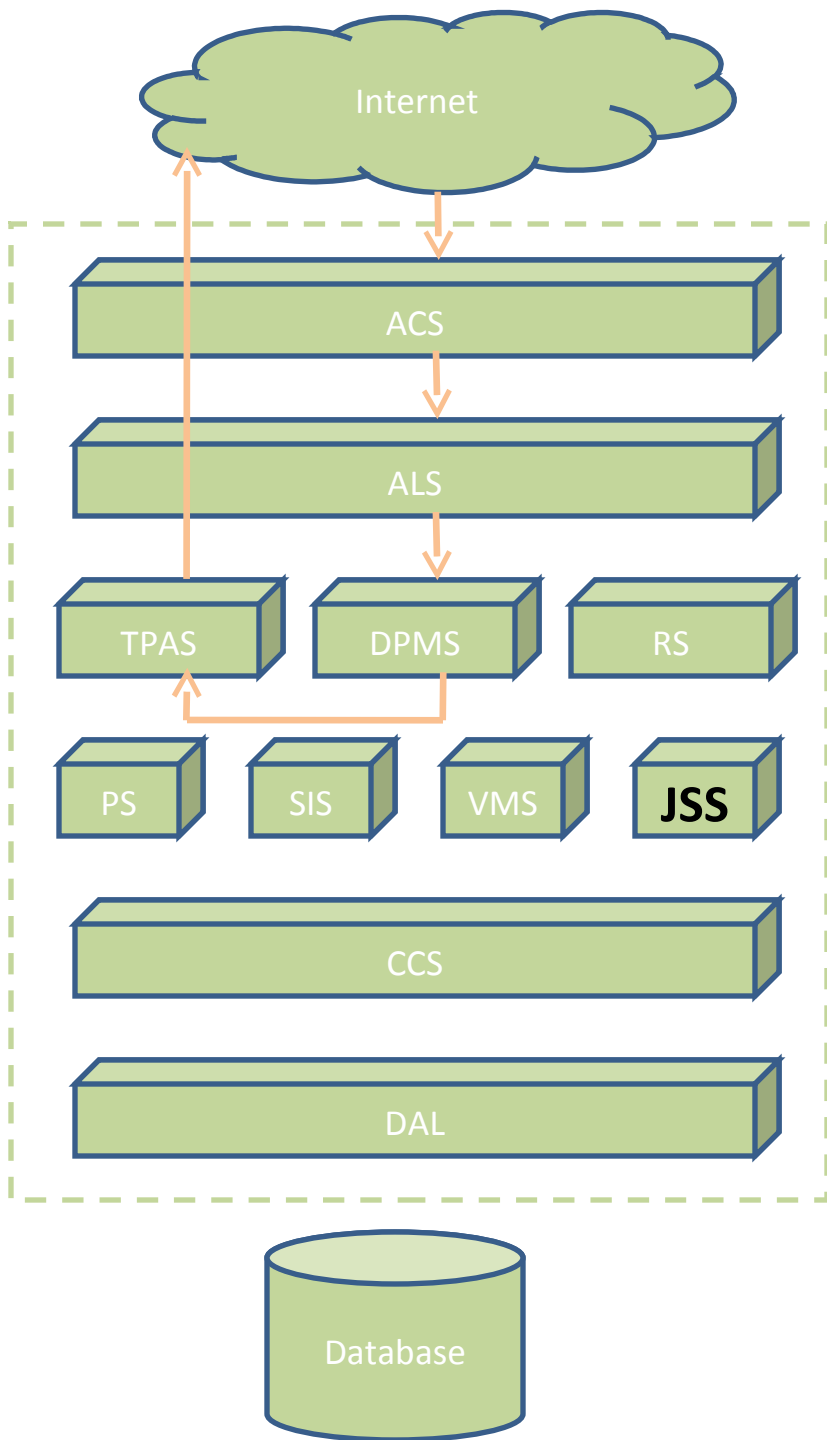
# ARCHITECTURE

Search/Indexing Service (SIS) is responsible for indexing the website content and answering search queries. Intelligent cross linking of content based on metadata is also handled by SIS.



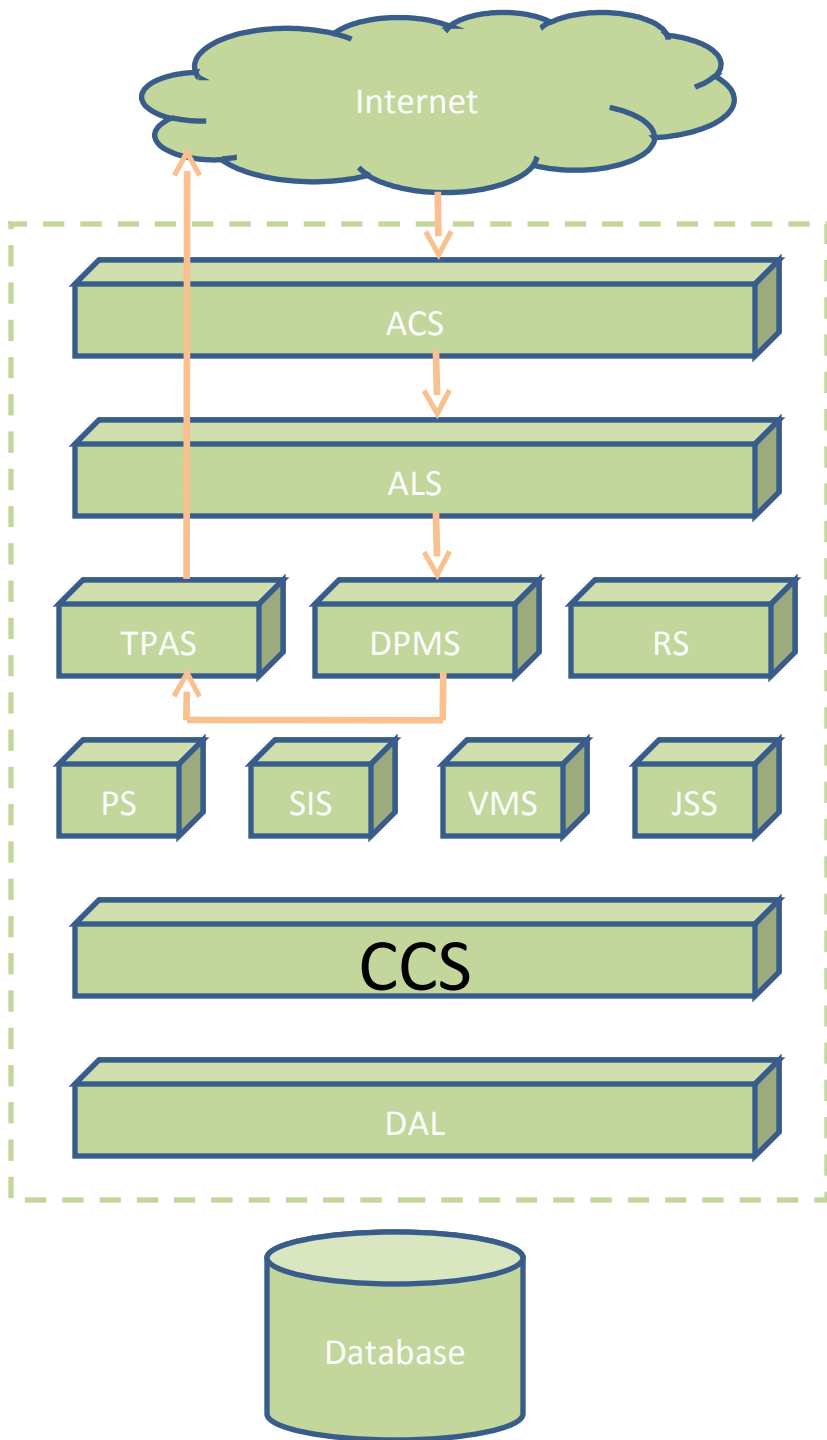
# ARCHITECTURE

Version Management Service (VMS) is responsible for managing multiple versions of content (documents) in the system. Documents can have many versions to support content roll-backs and multiple locales.



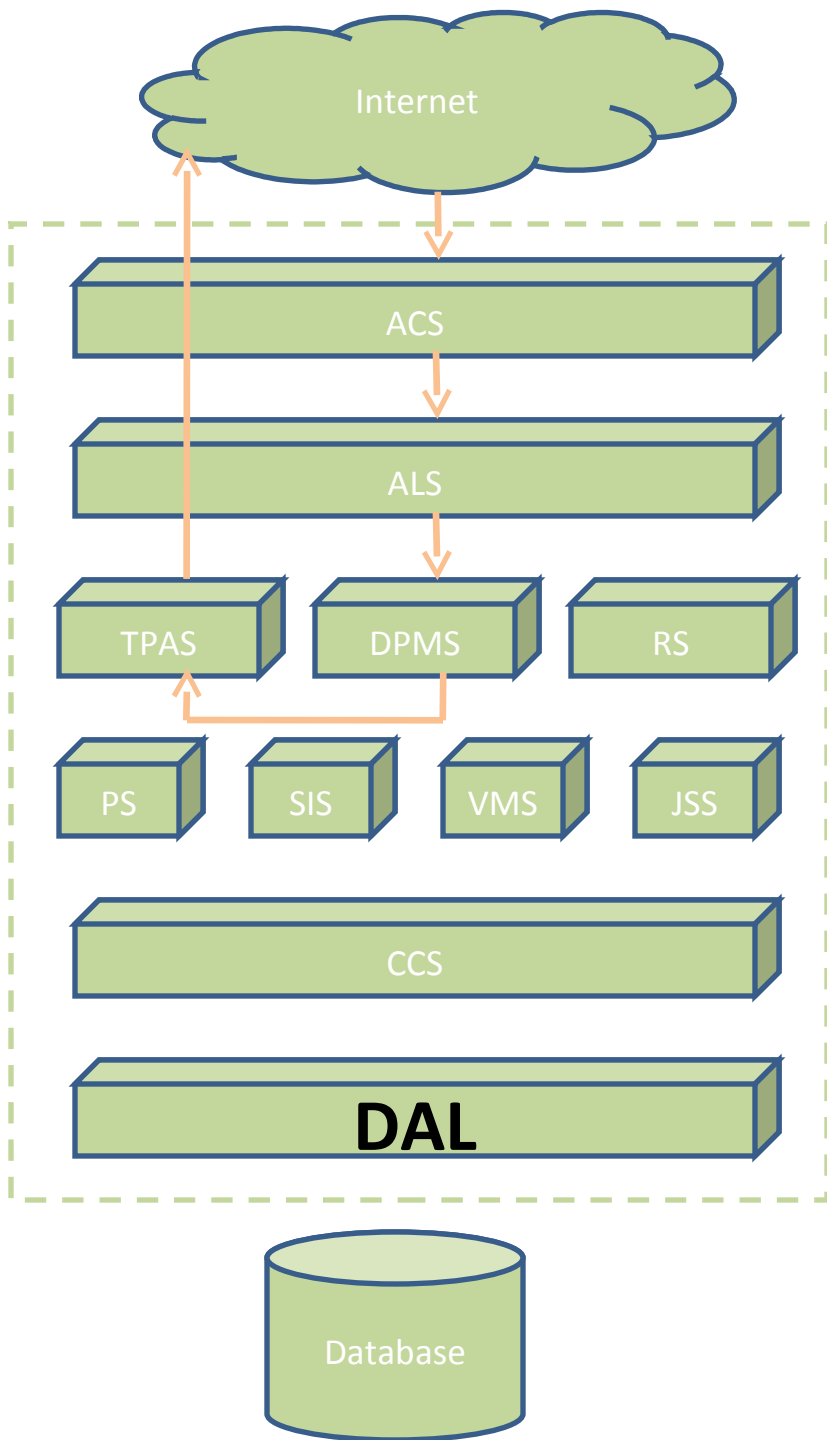
# ARCHITECTURE

Job Scheduling Service (JSS) handles execution of pre-defined one-time or periodic tasks in the background.



# ARCHITECTURE

Content Caching Service (CCS) Frequently requested content is cached by the CCS to reduce the server load and increase application response times. In addition to objects, part (regions) of web pages (which have a high assembly cost) too can be cached in the CCS. CCS is responsible for expiration of cached content when changes to content or newer versions are detected.



## ARCHITECTURE

Database Abstraction Layer (DAL) separates the business logic from the underlying database. This makes it possible to port ActiveSite onto many other databases.

# Questions?

[sales@neevtech.com](mailto:sales@neevtech.com)